

Original 1227™ Mini Lamp with Desk Clamp

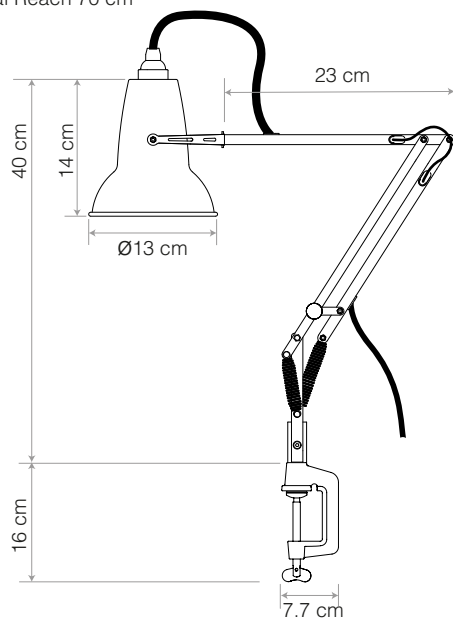
Original 1227™ Mini Collection | Technical Sheet

ANGLEPOISE®

Launched In 2015 | Designed by George Carwardine



Max Horizontal Reach 56 cm
Max Vertical Reach 70 cm



Product

Lamp with Clamp - Jet Black
Lamp with Clamp - Linen White
Lamp with Clamp - Dove Grey

Accessories are colour-matched.
Lamps with accessories come with a table base.

Description

This compact, cast iron Desk Clamp has been designed to fix any light in the 1227™ and 1227™ Mini collections to a wide range of horizontal surfaces, including desks and shelves. The addition of a neat cable clamp means that you can secure the inline switch exactly where it is needed most.

Materials

- Gloss paint finish
- Steel Shade
- Chrome plated fittings
- Steel profiled arm
- Fabric cable
- IP20 rating

Dimensions

- Shade diameter: \varnothing 13cm
- Shade height: 14cm
- Max reach: 56cm (from clamp to shade)
- Desk clamp (h x w x d): 16cm x 2.5cm x 7.7cm
- Clamp range : Thicknesses from 1cm to 6cm max
- Cable length: 180cm
- Lamp Packaging (L x W x H): 28 x 19 x 46.5cm
- Lamp Packaged Weight: 3.3kg
- Clamp Packaging (L x W x H): 19cm x 10.5cm x 6cm
- Clamp Packaged Weight: 0.76kg

Electrical

- Voltage: 220/240V, 50/60Hz
- Class II - Double insulated
- Note: Bulb weight critical for balance. Approximate bulb weight 25-45g
- Inline cable switch (30cm from product)
- Plug: 2-pin Europlug to CEE 7/16
- E14 lamp holder
- Maximum permitted bulb: 15W CFL / 6W LED E14
- Supplied with 6W LED E14 bulb:
 - Luminous Intensity: 470lm
 - Life: 15,000 Hours
 - Non-dimmable
 - Colour Temperature: 2700K
 - CRI (Ra): 80



Bulb
included